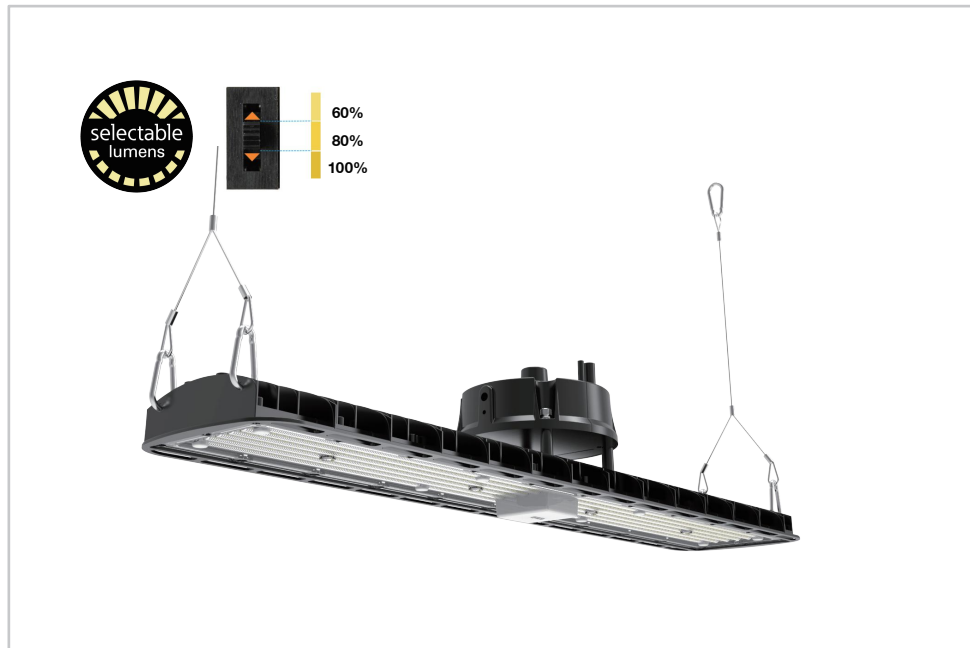
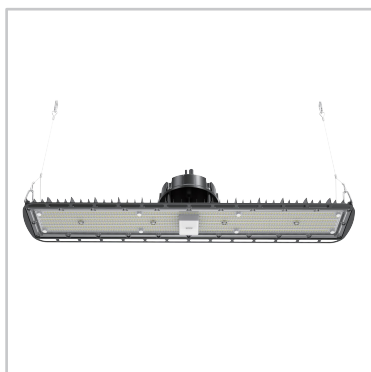
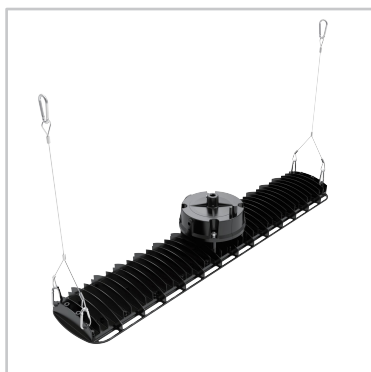


Nike



KEY ADVANTAGES

- 185lm/w ultra-high light efficiency
- Wattage from 100W to 240W optional
- Power Selectable
- High energy savings compared to systems with traditional discharge lamps
- Robust design
- Emergency lighting with optional battery
- High visual comfort
- No hazardous materials
- Fast ROI thanks to long life span and reduced maintenance
- Compact housing optimised for heat dissipation and reduced dust accumulation
- Dedicated range of mounting accessories

TYPES OF APPLICATION

- CAR PARKS
- LARGE AREAS
- INDUSTRIAL HALLS & WAREHOUSES
- SPORT FACILITIES



CAR PARKS



LARGE AREAS



INDUSTRIAL HALLS & WAREHOUSES



SPORT FACILITIES



GENERAL INFORMATION

Driver included	Yes
CE mark	Yes
RoHS compliant	Yes
Safety features	Open circuit protection Short circuit protection Overvoltage protection
Testing standard	LM-79-19(all measurements in ISO17025 accredited laboratory)

HOUSING AND FINISH

Housing	Aluminium
Optic	Polycarbonate
Protector	Polycarbonate (with integrated lenses)
Housing finish	Electrostatic polyester powder coating
Standard colour(s)	RAL 9017 black
Tightness level	IP 65
Impact resistance	IK 09

OPERATING CONDITIONS

Operating temperature range (Ta)	-20°C to + 45°C
Operating Humidity	10-90%RH
Mounting Option	Suspended/Ceiling-Mount
Warranty	5 years

PERFORMANCE

Power	100W/150W/200W/240W
Efficacy	Up to 185lm/w
Power Efficiency	≥93%
Start Time	≤0.2S
Warm-up time to 60%	0.5S

ELECTRICAL INFORMATION

Electrical class	Class I EU
Nominal voltage	120-277V 50/60Hz
Power factor (at full load)	0.9
Surge protection options (kV)	6KV-Line-Line 6KV-Line-Earth
Electromagnetic compatibility (EMC)	EN 55015:2019/A11:2020, EN 61000 3-2:2019, EN 61000-3-3:2013, EN 61547:2009, EN 62493:2015
Sensor	Plug-and-play Built-in sensor
Total Harmonic Distortion(THD)	IEC 61000-3-2 Class C <20%
Driver Type	Constant current(CC)
For fixed Class 1 luminaires, overvoltage protective devices which comply with IEC 61643-11 shall be disconnected from the circuit.	
withstand voltage	1.5KV 60S 10mA

※Lamp switch must control L line or control L and N lines.

OPTICAL INFORMATION

LED Type	SMD2835
Beam Angle	90x110°
Recommended installation height	4m to 12m
Color Tolerance	Ra70 ≤7
LED colour temperature	3000K/4000K 5700K/6500K
Colour rendering index (CRI)	CRI>70 standard
Upward Light Output Ratio (ULOR)	0%

※Ra measurement tolerance is ±2.

LIFETIME OF THE LEDs @ TA 25°C

All configurations	
L70B50	>100,000h
L80B20	>50,000h
L90B10	>30,000h
Switching Cycles	>100,000 times

※To adjust the power and color temperature, the input power must be turned off.

PRO VERSION

POWER	LUMENS	EFFICACY
100W	18,500LM	185LM/W
150W	27,750LM	185LM/W
200W	37,000LM	185LM/W
240W	44,400LM	185LM/W

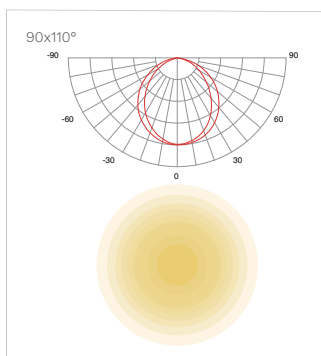
※ Power Consumption Tolerance +5% (Apply to all versions)
 ※ Lumen Efficiency Tolerance +5% (Apply to all versions)

PACKAGING

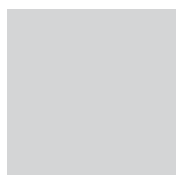
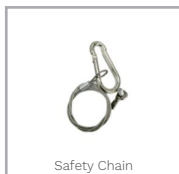
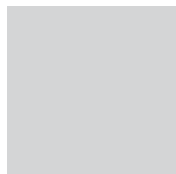
POWER	PACKAGE SIZE	QTY/CTN	SINGLE PIECE VOLUME	NET WEIGHT	GROSS WEIGHT	40HQ
240W	L730*W185*H165mm	1PC	0.0222m ³	1.78KG	2.24KG	3060pcs

※ All wattages are in the same package

LIGHT DISTRIBUTIONS



ACCESSORIES OPTIONAL



⚠ Connecting the cable requires an IP65 Tightness level

240W

※ All wattages are of the same size

